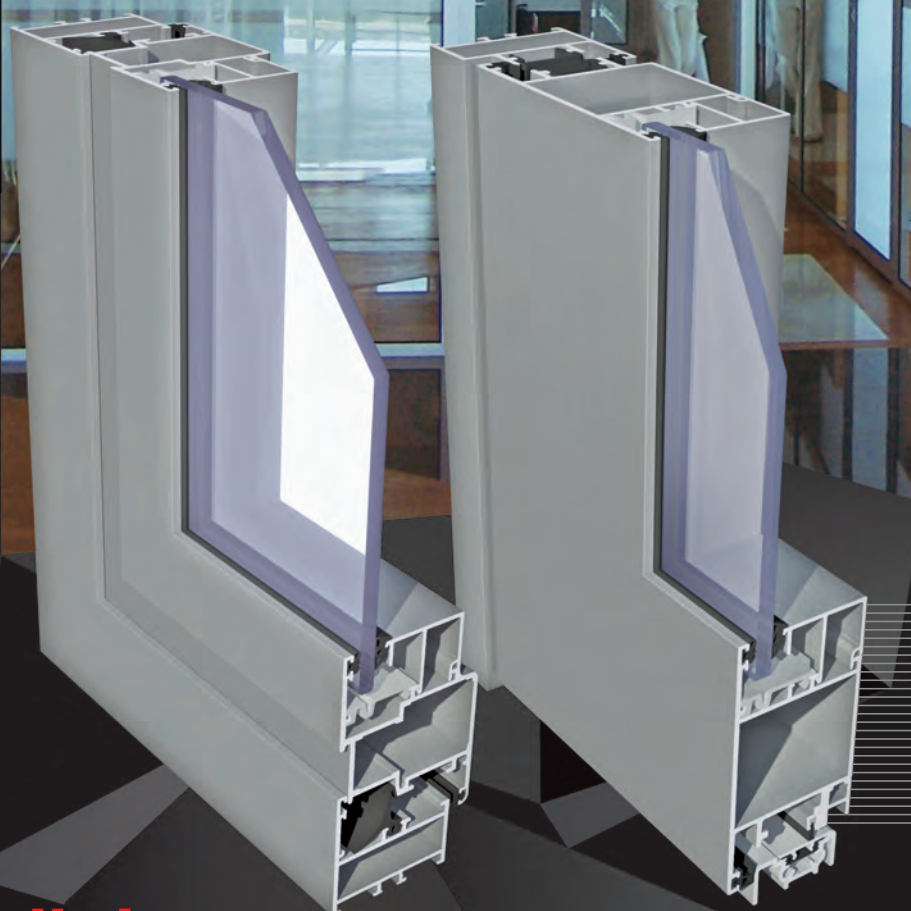


EL

ECONOLINE

ECONOLINE PANEL DOORS



The system is designed for designing elements of interior and exterior architecture without thermal insulation: windows, doors, segments of partition walls for general use in public and industrial buildings (in office spaces)

EL

The system is designed for designing windows and doors without thermal insulation.

The system is compatible with all other Aliplast systems: shared glazing strips, gaskets, corner shapes and hardware.

The system is designed for designing elements of interior and exterior architecture without thermal insulation: windows, doors, segments of partition walls for general use in public and industrial buildings (in office spaces).

The possibility of designing sliding doors and swinging doors, joining walls at any angle, and reinforcing already completed or even installed elements.

The Econoline system has the option of using construction hinges rebate.

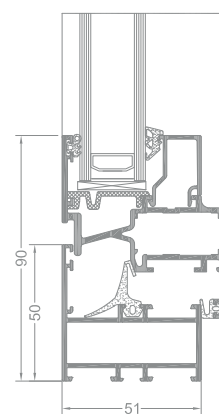
The door system ECONOLINE with smoke protection fulfil the criteria of classes smoke tightness Sa, Sm according to DIN EN 13501-2 + A1: 2010).

The possibility of integrating Econoline doors in partition walls, made of Econoline panels or other panels in any design.

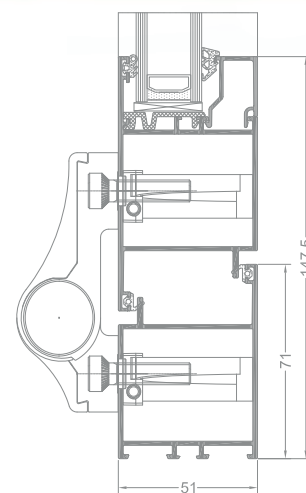
Glazing strips available in a rectangular and circular variant.

The option of bending profiles (detailed specification of profiles and detailed technical parameters of profile bending process are available in the customer area of the website www.aliplast.pl).

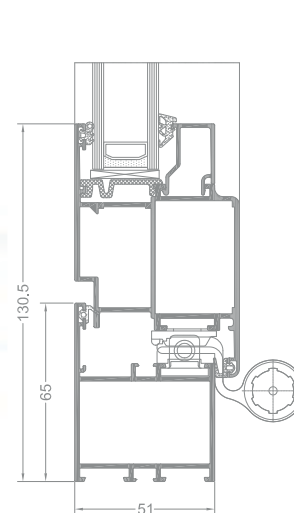
A wide range of colours available - RAL palette, structural colours, Aliplast Wood Colour Effect, bi-colour.



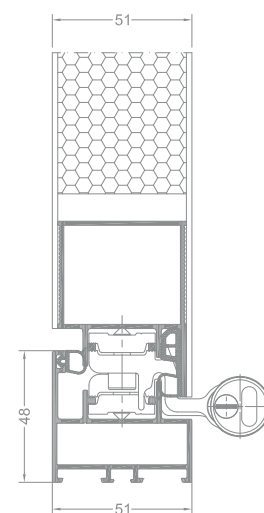
EL 010 + VL 820
window section



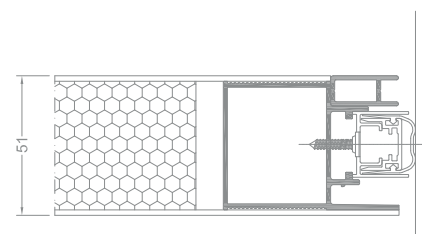
EL 014 + EL 025
door section



EL 011 + EL 022
door section



EC panel doors section
- hinge side



EC panel doors section - falling threshold solution

EL panel doors

An aluminium system without thermal insulation used to design panelled doors.

The load-bearing structure of the panelled door system is provided by the Econoline system.

Panel-type Econoline is used to design indoor structures (doors) in residential and public buildings.

One plane of the frame and the panel bonded onto the leaf are flushed (panel bonded from the external side or double-sided).

The system is characterised by a range of infill panels available in various patterns and colours.

Wide range of hardware available on the market.

A wide range of colours available - RAL palette, structural colours, Aliplast Wood Colour Effect, bi-colour.

TECHNICAL SPECIFICATION

| SYSTEM | MATERIAL | DEPTH OF FRAME | DEPTH OF LEAF | GLAZING RANGE | TYPE OF WINDOWS | TYPE OF DOORS |
|-----------|-----------|----------------|---------------|---------------|-----------------------|---------------|
| EL window | aluminium | 51 mm | 60 mm | max 37 mm | casement, tilt & turn | — |
| EL door | aluminium | 51 mm | 51 mm | max 37 mm | — | tilt-turn |
| SYSTEM | MATERIAL | DEPTH OF FRAME | DEPTH OF LEAF | GLAZING RANGE | TYPE OF WINDOWS | TYPE OF DOORS |
| PD - EL | aluminium | 51 mm | 51 mm | 51 mm | — | tilt & turn |